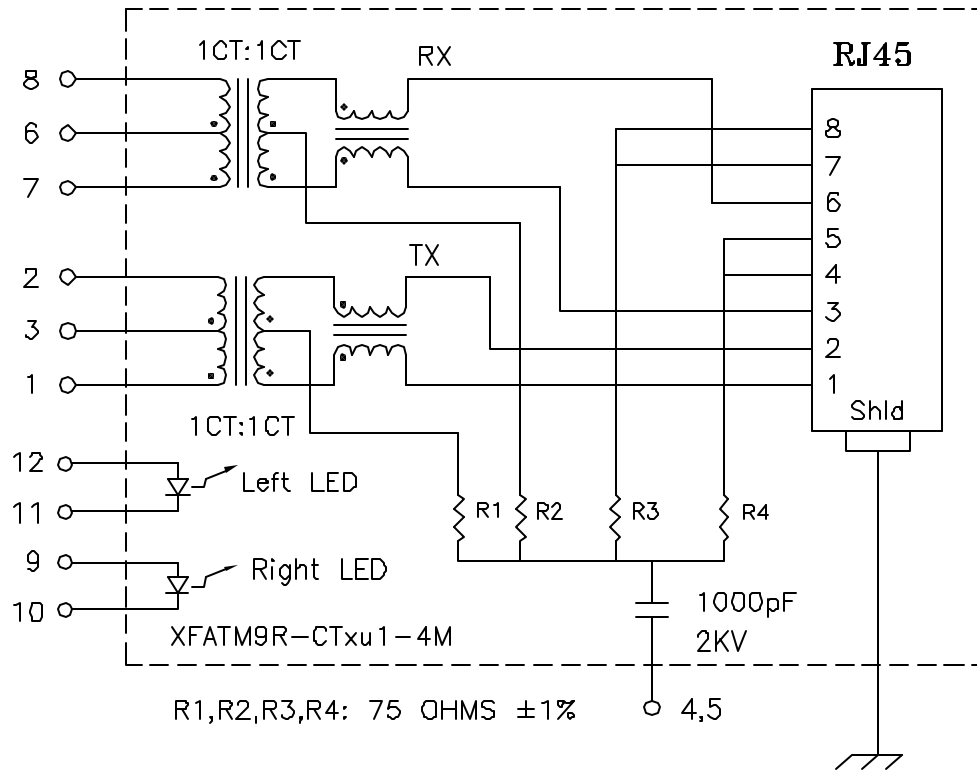


Schematic:



Electrical Specifications: @25°C

Isolation Voltage: 1500 Vrms (Input to Output)

Isolation Voltage: 500 Vrms (P1+2+3 to P6+7+8)

Turns Ratio: TX 1CT:1CT $\pm 3\%$ RX 1CT:1CT $\pm 3\%$

CABLE SIDE OCL: 350uH Minimum @100KHz 100mV 8mADC

Q: 18 Min @100KHz 100mV

Cw/w: 27pF Typical @100KHz 100mV

Insertion Loss (300KHz-100MHz): -1.0dB Maximum

Return Loss: @30MHz -18dB Minimum

@80MHz -12dB Minimum

Differential to Common Mode Rejection:

-45dB Min @1-60MHz

-35dB Typ @60-200MHz

Complete the Combo P/N as follows:

Replace 'x' & 'u' in the part number with one of the LED color letters:

Y=Yellow

G=Green

A=Amber

R=Red

C=Green(1)/Amber(2) Bicolor

D=Amber(1)/Green(2) Bicolor

M=Green(1)/Yellow(2) Bicolor

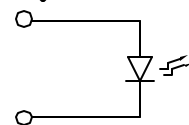
N=Yellow(1)/Green(2) Bicolor

P=Red(1)/Green(2) Bicolor

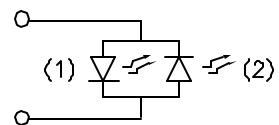
Q=Green(1)/Red(2) Bicolor

'x' = Left LED Color
'u' = Right LED Color

Single Color LED:



Bi-Color LED:



Notes:

- Solderability: Leads shall meet MIL-STD-202G, Method 208H for solderability.
- Flammability: UL94V-0
- ASTM oxygen index: > 28%
- Insulation System: Class F 155°C, UL file E151556
- Operating Temperature Range: All listed parameters are to be within tolerance from -40°C to +85°C
- Storage Temperature Range: -55°C to +125°C
- Aqueous wash compatible
- Electrical and mechanical specifications 100% tested
- RoHS Compliant Component

DOC REV: A/8

PROPRIETARY:

Document is the property of XFMRs Group & is not allowed to be duplicated without authorization.

XFMRs Inc.
www.XFMRs.com

Title:

SINGLE PORT TAB UP COMBO

UNLESS OTHERWISE SPECIFIED
TOLERANCES:
.xxx ± 0.010

Dimensions in Inch

SHEET 1 OF 2

P/N: XFATM9R-CTxu1-4M

REV. A

DWN.

Juan Mao

May-26-08

CHK.

YK Liao

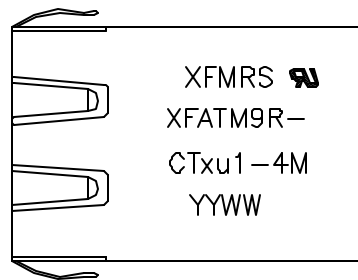
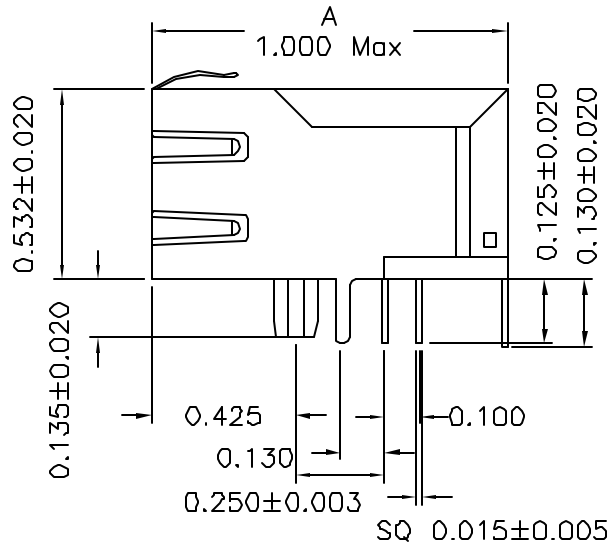
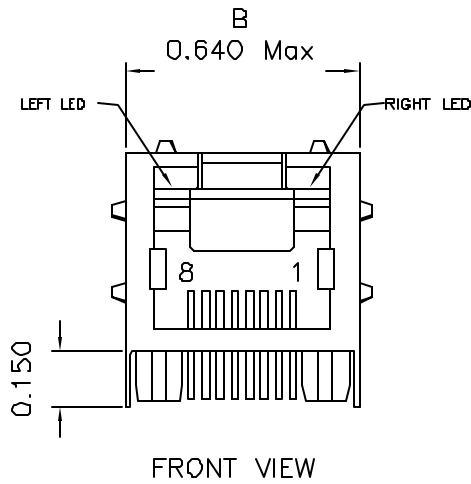
May-26-08

APP.

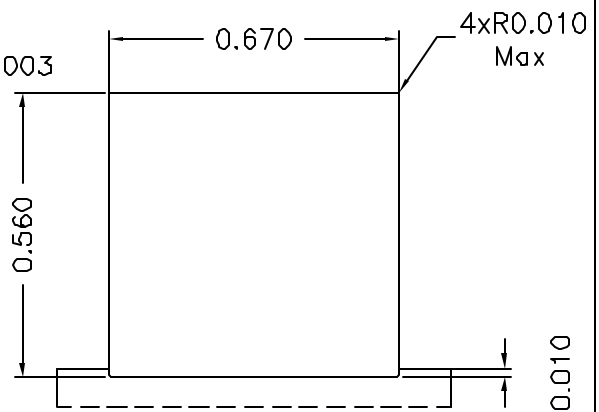
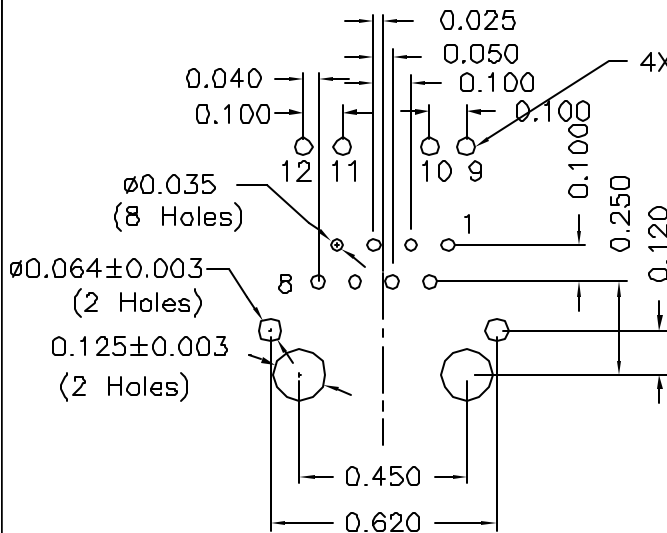
Joe Huff

May-26-08

Mechanical Dimensions:



Mounting Pattern:



FACE VIEW
RECOMMENDED PANEL CUTOUT

DOC REV: A/8

XFMRS Inc.
www.XFMRS.com

Title: Mechanical Dimensions
For TAB UB RJ45 COMBO

UNLESS OTHERWISE SPECIFIED
TOLERANCES:
.xxx ± 0.010
Dimensions in Inch

P/N: XFATM9R-CTxu1-4M

REV. A

DWN.

Juan Mao

May-26-08

CHK.

YK Liao

May-26-08

APP.

Joe Huff

May-26-08

PROPRIETARY:

Document is the property of XFMRS Group & is not allowed to be duplicated without authorization.

SHEET 2 OF 2